

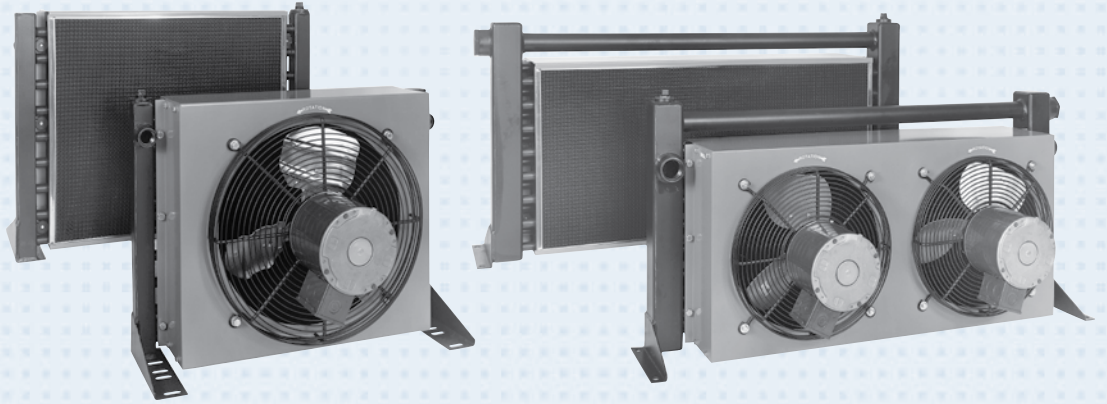
FLUID COOLING | Industrial AOC Series

FEATURES

- AC Motors
- Core Filter
- 3/4" Tubes
- Low Cost
- Industrial Duty
- Quiet Operation
- For Low Flow Rates
- Oil Flows to 150 GPM
- Mounting Brackets Included
- SAE Connections
- Single or Three-Phase 60/50 Hz Motors
- Filter Standard

OPTIONS

Built-in Serviceable Bypass Valve;
NPT or BSPP Oil Connections



Materials

- Tubes** Copper
- Fins** Aluminum
- Turbulators** Aluminum
- Fan Blade** Aluminum with steel hub
- Fan Guard** Steel with black baked enamel finish
- Cabinet** Steel with baked enamel finish
- Manifolds** Copper: Model AOC-08
Steel: Models AOC-19 – AOC-70
- Connections** Brass: Model AOC-08
Steel: Models AOC-19 – AOC-70
- Nameplate** Aluminum
- Filter** Stainless frame with washable media

Relief Bypass Valve Option

MODEL	DESCRIPTION
AOC-08	Available in one pass (30 and 60 psi), two pass (60 psi), designs only. Valves are built into tubes and do not affect external dimensions. All steel valves. Non-serviceable.
AOC-19 thru AOC-33	Available in 30 psi or 60 psi settings. 3/4", external, all steel valve. May be removed for servicing.
AOC-37 Thru AOC-70	Available in 30 psi or 60 psi settings. 1-1/2", external, all steel valve. May be removed for servicing.

Ratings

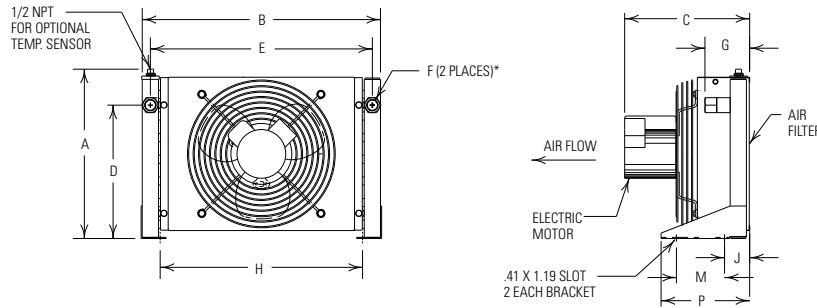
- Operating Pressure** - 300 psi
- Test Pressure** - 300 psi
- Operating Temperature** - 350° F

AOC

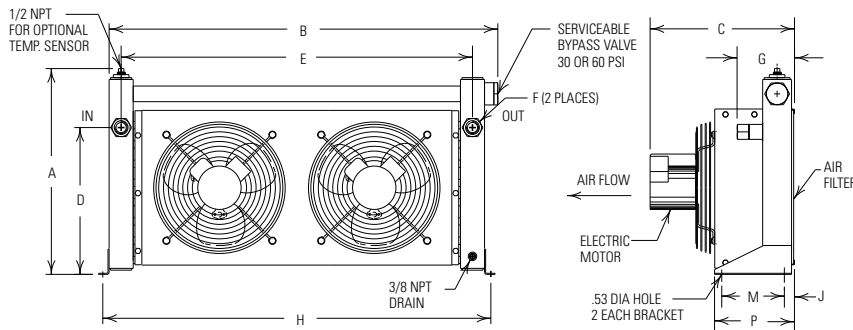
AOC

Dimensions

Models AOC-19 Through AOC-33



Models AOC-37 Through AOC-70



MODEL	A		B		C	D	E	F		G		H	J	M	P	LBS	
	No Bypass	Bypass	No Bypass	Bypass				SAE	NPT & BSPP	SAE	NPT & BSPP						
AOC-19	13.62	16.00	16.50	18.16	13.08	10.31	15.00	#12	.75	3.05	4.12	14.75	2.61	5.00	8.18	19	
AOC-22	15.62	18.00	22.00	23.66												18.69	33
AOC-24	19.62	22.00	24.75	26.41												21.44	46
AOC-33	25.62	28.00	30.25	31.91	22.31	28.75	#16	1.00		4.34	26.97					65	
AOC-37	18.50	21.38	39.00	40.38												15.66	15.25
AOC-50	22.50	25.38	41.00	42.38	15.62	19.25	38.50	#24	1.50	4.89	6.30	43.75	1.87	9.00	12.37	120	
AOC-54	30.50	33.28	42.00	43.38	17.09	27.25	39.50									4.68	6.03
AOC-57	36.50	39.38	48.00	49.38	16.72	32.75	45.50	#32	2.00	6.68	8.15	49.75	1.62		12.12	190	
AOC-70	38.38	41.25	51.00	52.38	22.62	34.00	48.50									8.44	9.91

NOTE: All dimensions in inches. We reserve the right to make reasonable design changes without notice.

*Inlet and outlet oil ports reversible if relief bypass option is not used.

Specifications

Electric Motor Data

MODEL	MOTOR POWER	# OF MOTORS	FRAME SIZE	SINGLE PHASE	THREE PHASE	575 VOLT	RPM	TYPE	B-BALL S-SLEEVE	THERMAL OVERLOAD	dB(A) 3 FT.
AOC-19 thru AOC-33	1/4	1	Custom	115/230V/60/50Hz 3.2/1.6 Amps Full Load 60 Hz 2.8/1.4 Amps Full Load 50 Hz	208-230/460V/60 Hz 190/380-415V/50 Hz 1.3/.65 Amps Full Load 60 Hz 1.1/.55 Amps Full Load 50 Hz	575/500V/60/50Hz .65 Amps Full Load 60 Hz .60 Amps Full Load 50 Hz	1700 (60 Hz) 1350 (50 Hz)	TEAO	S	YES	80
AOC-37 thru AOC-57		2									84
AOC-70	1		56C	115/208-230V/60 Hz 12.8/6.4 Amps Full Load	208-230/460V/60 Hz 190/380-415V/50 Hz 3.4/1.7 Amps Full Load 60 Hz 3.6/1.9 Amps Full Load 50 Hz	575/500V/60/50Hz 1.5 Amps Full Load 60 Hz 1.4 Amps Full Load 50 Hz	1725 (60 Hz) 1425 (50 Hz)	TEFC	B	NO	90

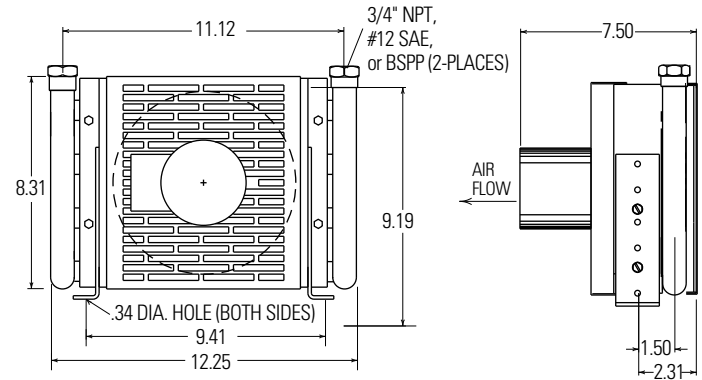
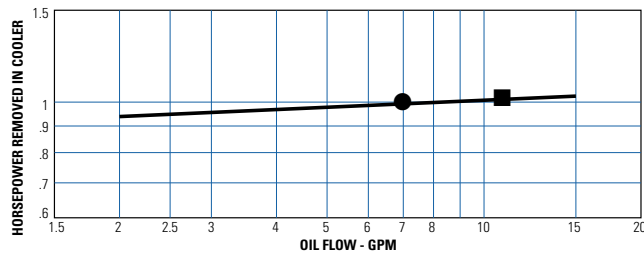
NOTE: Amp ratings are per motor.

C_v Viscosity Correction

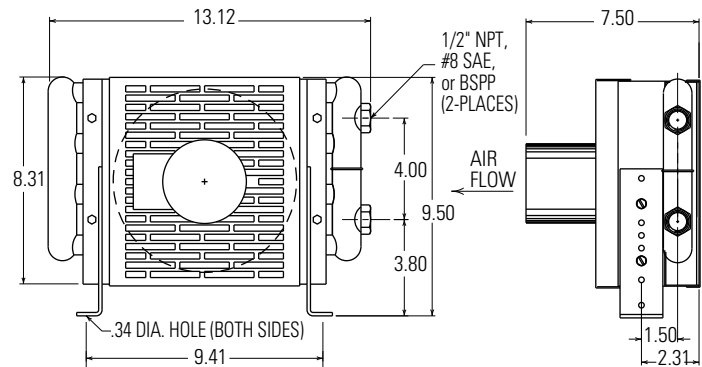
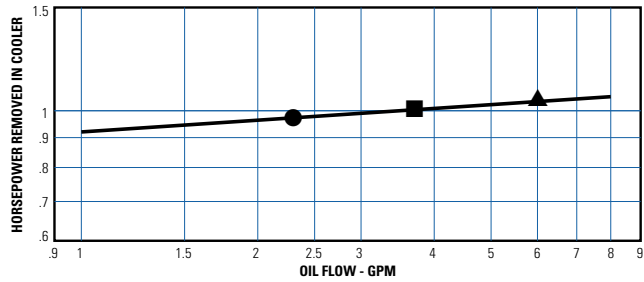
Average Oil Temp °F	OIL				
	SAE 5 110 SSU at 100°F 40 SSU at 210°F	SAE 10 150 SSU at 100°F 43 SSU at 210°F	SAE 20 275 SSU at 100°F 50 SSU at 210°F	SAE 30 500 SSU at 100°F 65 SSU at 210°F	SAE 40 750 SSU at 100°F 75 SSU at 210°F
100	1.14	1.22	1.35	1.58	1.77
150	1.01	1.05	1.11	1.21	1.31
200	.99	1.00	1.01	1.08	1.10
250	.95	.98	.99	1.00	1.00

AOC-08 Model Only

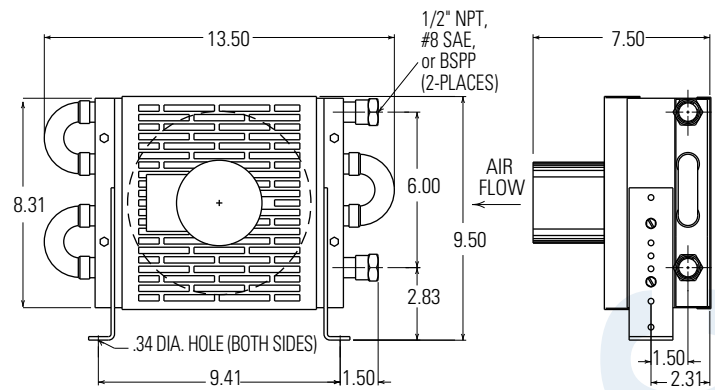
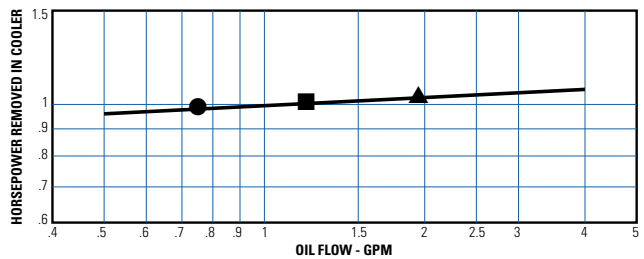
One Pass



Two Pass



Four Pass



Specifications

Electric Motor Data

MODEL	MOTOR POWER	115/230 VOLT	50/60 Hz	TYPE	RPM	BEARINGS B-BALL S-SLEEVE	THERMAL OVERLOAD	SHIPPING WEIGHT (lbs.)	dB(A) 3 FT.
AOC-08	1/30	115 VOLT 230 VOLT	1.1 Amps Full Load .7 Amps Full Load	TEAO	3000	S	YES	12	70